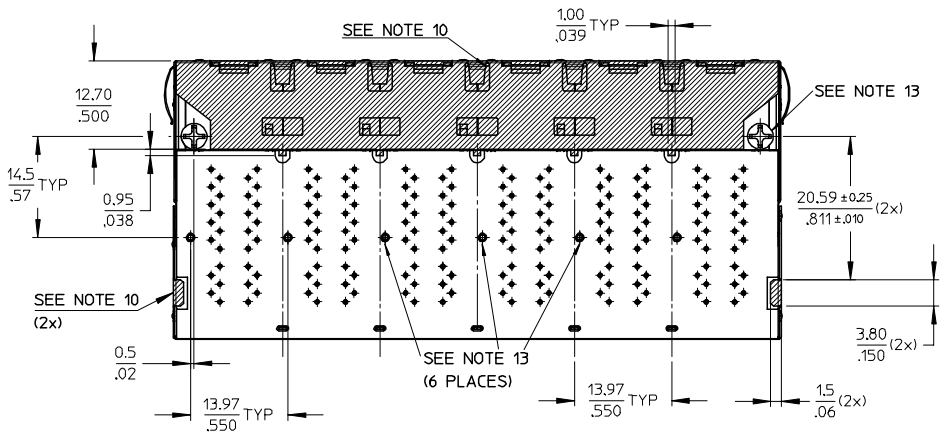
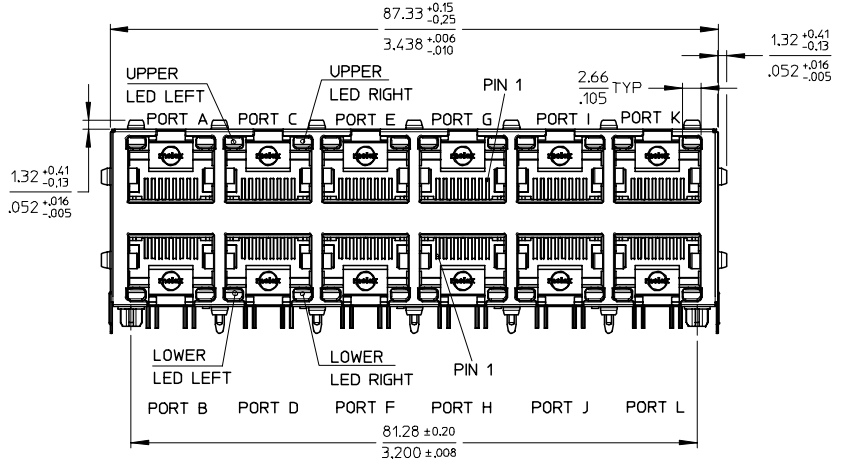
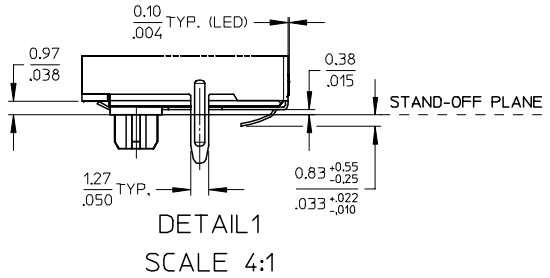
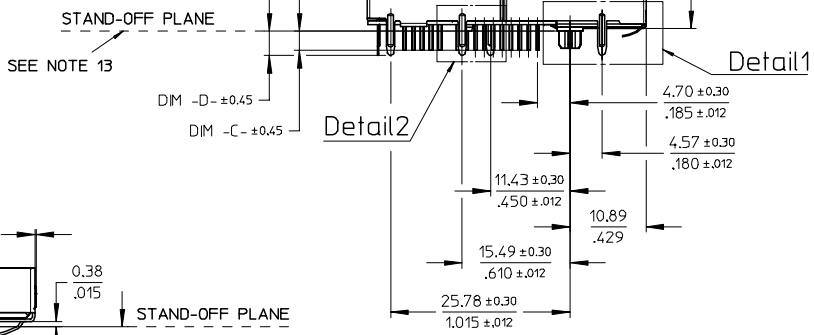
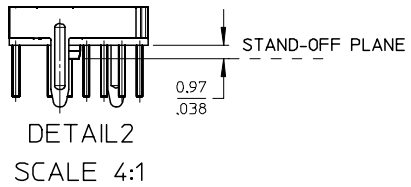


13 12 11 10 9 8 7 6 5 4 3 2 1



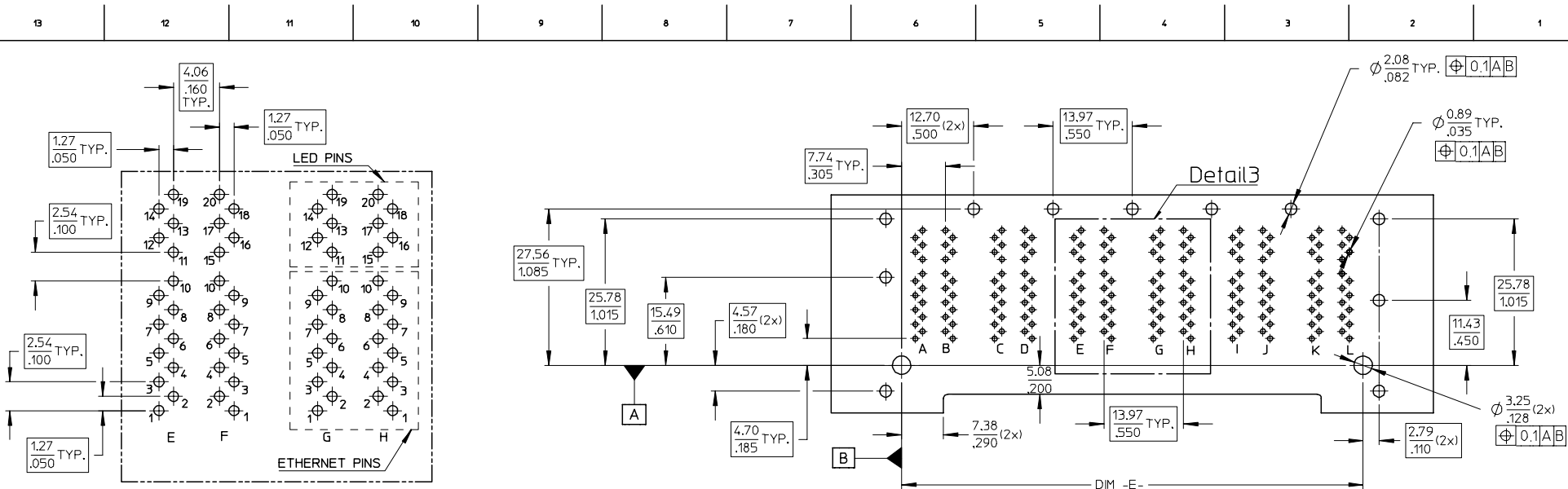
MATERIAL NUMBER	NUMBERS OF PORTS	DIM -C-	DIM -D-	SEE NOTE
85780-1005	6/6	4.0/0.157	3.8/0.150	11

PATENTS PENDING

- NOTES:
- SHIELD MATERIAL: BRASS, PLATING: NICKEL
 - HOUSING MATERIAL: THERMOPLASTIC UL 94-V0, COLOR BLACK
 - TERMINAL: PHOSPHOR BRONZE PLATING:
POSTPLATE OR SPOTPLATE 0.00076 / .00003 MIN GOLD
OVER 0.00127 / .00005 MIN NICKEL IN CONTACT AREA
TIN DIP IN TAIL AREA, BOTH OVER 0.00127 / .000050 MIN NICKEL OVER ALL.
 - JACK TO BE MATCHED WITH F.C.C. 68.5 PLUGS (MOLEX-PLUGS: 85568.95043.90075-SERIES)
 - PRODUCT SPECIFICATION: PS-85780-001
 - PLEASE REQUEST MOLEX FOR A FRENCH INSTALLATION MANUAL IF DISTRIBUTED IN CANADA
 - RECOMMENDED PCB LAYOUT AND PANEL CUT OUT SEE SHEET 2
 - NO TRACES WITHOUT INSULATION ALLOWED ON BOARD PCB IN THIS DASHED AREAS UNDER THE METAL SHIELD
 - PIN LENGTH FOR RECOMMENDED PCB MAX. THICKNESS OF .140" REFER TO STANDARD PC 610 REVISION C, CLASS 3
 - STAND-OFF PLANE TO CUSTOMER PCB

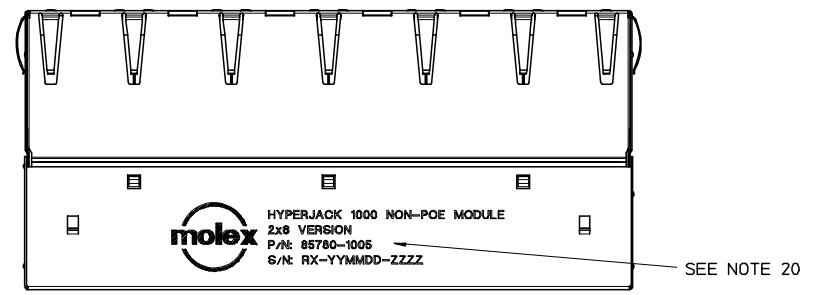
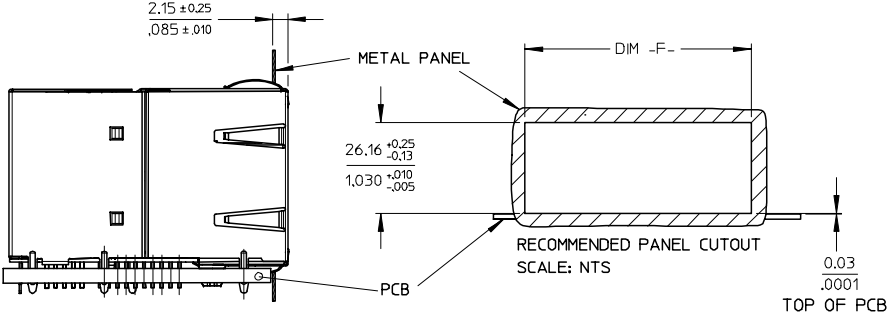
EC NO. MG2007-0068 DRAWN BY: RSCHIEBER 2006/12/11 CHKD: MARLT 2006/12/12 APPR: AVOST 2006/12/19 REV:	QUALITY SYMBOLS ▽=0 ▽=0	GENERAL TOLERANCES (UNLESS SPECIFIED) 4 PLACES ± --- ± --- 3 PLACES ± --- ± .006 2 PLACES ± 0.15 ± .01 1 PLACE ± 0.25 ± --- ANGULAR ± 5°	DIMENSION STYLE MM/IN DRAWN BY: RSCHIEBER DATE: 2006/04/21 CHECKED BY: MARLT DATE: 2006/04/21 APPROVED BY: SFILIPON DATE: 2006/04/21	SCALE: 2:1 DESIGN UNITS: METRIC THIRD ANGLE PROJECTION	TITLE: HJ1000 S&G WITH LED NON POE BASED POE POP SWAPPED PORTS
	DRAFT WHERE APPLICABLE MUST REMAIN WITHIN DIMENSIONS	MATERIAL NO.: 85780-1005 SIZE: A2	MOLEX INCORPORATED DOCUMENT NO.: SD-85780-002	SHEET NO.: 1 OF 2	

12 11 10 9 8 7 6 5 4 3 2 1



SUGGESTED PCB BOARD LAYOUT 2x6 VERSION, COMPONENT SIDE VIEW

Detail3 SCALE 4:1
PORTS E, F, G, H
(THE SAME FOR ALL VERSIONS)



MATERIAL NUMBER	NUMBERS OF PORTS	DIM -E-	DIM -F-
85780-1005	6/6	81.28/3.2	88.01/3.465

NOTES:
20 - INSCRIPTION TO BE MARKED BY LASER PRINTER.
INSCRIPTION:
PART NAME
PART NUMBER
SERIES NUMBER -> CONNECTOR REVISION - DATE CODE (YEAR, MONTH, DAY) - CONSECUTIVE NUMBER

PATENTS PENDING

EC NO: MEG2007-0068 DRAWN BY: DRWNR/SCHIEBER CHKD: MARLT APPR: AVOST DATE: 2006/12/11 DATE: 2006/12/12 DATE: 2006/12/19	QUALITY SYMBOLS	GENERAL TOLERANCES (UNLESS SPECIFIED)	DIMENSION STYLE	SCALE	DESIGN UNITS	THIRD ANGLE PROJECTION
	$\nabla=0$ $\nabla=0$	4 PLACES \pm --- \pm --- 3 PLACES \pm --- \pm .006 2 PLACES \pm 0.15 \pm .01 1 PLACE \pm 0.25 \pm --- ANGULAR \pm 5°	MM/IN	2:1	METRIC	
	DRAWN BY: RSCHIEBER CHECKED BY: MARLT APPROVED BY: SFILIPON	DATE: 2006/04/21 DATE: 2006/04/21 DATE: 2006/04/21	TITLE: HJ1000 S&G WITH LED NON POE BASED POE POP SWAPPED PORTS MOLEX INCORPORATED	MATERIAL NO.: SD-85780-002 DOCUMENT NO.:	SHEET NO.: 2 OF 2	
	DRAFT WHERE APPLICABLE MUST REMAIN WITHIN DIMENSIONS		SEE SHEET 1	THIS DRAWING CONTAINS INFORMATION THAT IS PROPRIETARY TO MOLEX INCORPORATED AND SHOULD NOT BE USED WITHOUT WRITTEN PERMISSION		